

# A Cool Comparison: CM-700 & CM-1500



## Specifications

	CM-700S	CM-1500S	CM-1500HP	CM-1500VH
Airlock Size	Ø20.3cm x 25.4 cm	Ø25.4 cm x 35.5 cm	Ø25.4 cm x 45.7 cm	Ø25.4 cm x 35.5 cm
Hose Output	6.3 cm	7.6 cm	7.6 cm	7.6 cm
Airlock Pressure	276 mbar	276 mbar	276 mbar	276 mbar
Blower Volume	(1) 238 m <sup>3</sup> /hr	(2) 238 m <sup>3</sup> /hr	(2) 238 m <sup>3</sup> /hr	(1) 238 m <sup>3</sup> /hr
Hopper Capacity	0.30 m <sup>3</sup>	0.38 m <sup>3</sup>	0.38 m <sup>3</sup>	0.38 m <sup>3</sup>
Weight	82 kg	180 kg	189 kg	218 kg
LxWxH	71 cm x 56 cm x 140 cm	97 cm x 61 cm x 145 cm	97 cm x 61 cm x 145 cm	97 cm x 81.3 cm x 185.4 cm
Loading Height	140cm Export-CE (Metal Hopper) 107cm (*Metal Hopper w/ Loading Tray)	109cm	109cm	109cm
Power Requirements	10 amp input	10 amp/10 amp input	10 amp/10 amp input	10 amp input
Export	230 volt/50 Hz	230 volt/50 Hz	230 volt/50 Hz	230 volt/50 Hz
Drive Motor	0.22 kW	0.56 kW	0.56 kW	0.75 kW
Generator Size (Min. Running Watts)	5000W	7500W	8000W	8000W
Max Hose Length	45.72m	91.44m	91.44m	45.72m
Warranty	2 year (limited)	2 year (limited)	2 year (limited)	2 year (limited)

## Production Rates: lbs/hr (kg/hr)

Cellulose	431 kg/hr	998 kg/hr	1360 kg/hr	998 kg/hr
Fiberglass	182 kg/hr	408 kg/hr	545 kg/hr	408 kg/hr
Rockwool	272 kg/hr	635 kg/hr	817 kg/hr	635 kg/hr

## Features:

Powder Coated Metal	Yes	Yes	Yes	Yes
Check Valve Blower Protection	Yes	Yes	Yes	Yes
Airlock Pressure Relief Tube	Yes	Yes	Yes	Yes
Hourmeter/Voltmeter	No	Yes	Yes	Yes
Pressure Gauge	No	Yes	Yes	Yes
Re-Lube Bearings	Yes	Yes	Yes	Yes
Scalping Augers	Yes	Yes	Yes	Yes
Loading Tray	No	Yes	Yes	Yes
Quick Release Hopper	Yes	Yes	Yes	Yes
Quick Release Scalping Augers	Yes	Yes	Yes	Yes
Modular Control Panel	Yes	Yes	Yes	Yes
Front Panel Reset Overloads	Yes	Yes	Yes	Yes
L.E.D. Plugs/Self Diagnostics	Yes	Yes	Yes	Yes
Heavy Duty Remote Cord	Yes	Yes	Yes	Yes
Blower Filter Cover	Yes	Yes	Yes	Yes
Wheel Package*	Yes	Yes	Yes	Yes
Turbo Shredder*	No	No	No	No
Lid & Dust Curtain*	Yes	Yes	Yes	No
Integrated Booster Connection*	Yes	No	No	Yes
Metal Hopper w/ Integrated Loading Tray*	Yes	N/A	N/A	N/A
Turbo Shredder	No	No	No	No

(\* ) Denotes an Optional Accessory

Questions? Call us at +45 54 60 90 06

## Description of CM-700 Features:

- **Portable:** Efficient machine with low power requirements and easy maneuverability.
- **Powder Coated Metal:** Powder coating provides a high quality, long lasting finish exhibiting professionalism to your customers.
- **Check Valve Blower Protection:** Protects blowers from back-flow of fibers into the blowers causing damage.
- **Re-Lube Bearings:** heavy duty, triple sealed, 'cast iron' bearings allow re-greasing to provide endless life to bearings and eliminate maintenance.
- **Modular Control Panel:** Quick release panel box with plug-in connections for easy removal (for supplier exchange) and direct power diagnostics to motors.
- **Front Panel Reset Overloads:** Easy access to re-set thermal overload protection to all motors and protected electrical components.
- **L.E.D. Plugs/Self Diagnostics:** Easy diagnostics to confirm power to motors.
- **Heavy Duty #16 Gauge Remote Cord:** Heavy gauge wire conductor with double thick protective jacket provides durability to a component exposed to extreme wear and abuse.
- **Scalping Augers:** Cool Machines proprietary technology providing enhanced fiber conditioning and positive feeding to airlock with no fiber bridging in hopper.
- **Metal Hopper with Integrated Loading Tray\*:** Larger hopper opening that utilizes our CM-1500 Tray/Door allows for easier loading of machine and increased hopper capacity.
- **Wheel Package\*:** Allows convenient transport of machine between vehicles and job-site.
- **Dust Curtain\*:** Reduces the amount of airborne dust around the machine/loading area.
- **Integrated Booster Connection:** Allows the connection of our Cool Booster Box to the back of the machine.

CE/Overseas Hopper



Standard Scalping Augers



Integrated Booster Box Connection\*

Metal Hopper with Integrated Loading Tray\*



(\* ) Denotes an Optional Accessory

## Description of CM-1500 Features:

- **Compact and Robust:** size to power ratio provides a high capacity and high production machine with low power requirements, while conserving valuable space in your vehicle.
- **Powder Coated Metal:** Powder coating provides a high quality, long lasting finish exhibiting professionalism to your customers.
- **Check Valve Blower Protection:** Protects blowers from back-flow of fibers into the blowers causing long term damage.
- **Airlock Pressure Relief Tube:** Increases production rate and reduces dust in hopper by eliminating residual air bursts above airlock feeding area.
- **Hour Meter:** Records total run hours on the agitator motor airlock for maintenance intervals.
- **Voltmeter:** monitoring of correct voltage to agitator motor to prevent long term damage.
- **Pressure Gauge:** Used to calibrate pressure for dense-packing sidewalls and diagnose condition of airlock seals.
- **Re-Lube Bearings:** heavy duty, triple sealed, 'cast iron' bearings allow re-greasing to provide endless life to bearings and eliminate maintenance.
- **Loading Tray:** allows quick opening and closing of loading tray without additional task of latching in closed position.
- **Quick Release Hopper:** Quick release flip latches allow rapid removal of hopper for access to base unit for maintenance.
- **Quick Release Scalping Auger:** Cool Machines proprietary 'scalping' technology providing enhanced fiber conditioning, positive feeding to airlock with no fiber bridging in hopper, and quick release for convenient access for airlock seal replacement.
- **Modular Control Panel:** Quick release panel box with plug-in connections for easy removal (for supplier exchange) and direct power diagnostics to motors.
- **Front Panel Reset Overloads:** Easy access to re-set thermal overload protection to all motors and protected electrical components.
- **L.E.D. Plugs/Self Diagnostics:** Easy diagnostics to confirm power to motors.
- **Heavy Duty #16 Gauge Remote Cord:** Heavy gauge wire conductor with double thick protective jacket provides durability to a component exposed to extreme wear and abuse.
- **Blower Filter Cover:** Reduces blower filter maintenance. Provides a method to attach 3" (7.6cm) insulation hose to draw clean air from a remote location to blowers.
- **Integrated Booster Connection:** Allows the connection of our Cool Booster Box to the back of the machine.
- **Wheel Package\*:** Allows convenient transport of machine between vehicles and job-site.
- **Turbo Shredder\*:** Uses High Speed Blades to provide maximum fiber conditioning and production.
- **Lid & Dust Curtain\*:** Reduces the amount of airborne dust around the machine/loading area.



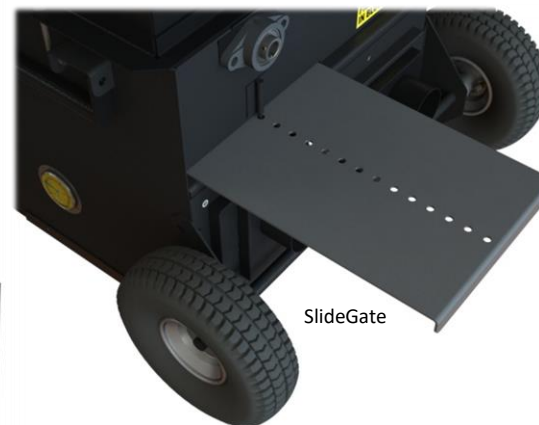
Quick Release Scalping Augers



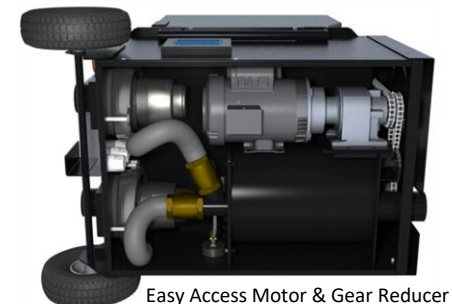
Lid & Dust Curtain\*



Blower Booster Box\*



SlideGate



Easy Access Motor & Gear Reducer

(\*) Denotes an Optional Accessory